



Wall mounted unit
Air Conditioning
Technical Data
FTXP-M9 /
FTXP-M



- > FTXP20M5V1B9
- > FTXP25M5V1B9
- > FTXP35M5V1B9
- > FTXP50M2V1B
- > FTXP60M2V1B
- > FTXP71M2V1B

Table of contents

FTXP-M9 / FTXP-M

1	Features	4
	FTXP-M9 / FTXP-M	4
2	Specifications	5
3	Options	8
	Options	8
4	Dimensional drawings	10
	Dimensional Drawings	10
5	Centre of gravity	11
	Centre of Gravity	11
6	Piping diagrams	13
	Piping Diagrams	13
7	Wiring diagrams	16
	Wiring Diagrams - Single Phase	16
8	Sound data	17
	Sound Pressure Spectrum	17

1 Features

1 - 1 FTXP-M9 / FTXP-M

- › Practically inaudible: the unit runs so quietly, you will almost forget it is there.
- › Online controller (optional): control your indoor from any location with an app, via your local network or internet and keep an overview on your energy consumption
- › Silver allergen removal and air purifying filter: captures allergens such as pollen and dust mites.
- › 3-D air flow combines vertical and horizontal auto swing to circulate a stream of warm or cool air right to the corners of even large spaces
- › The unit's compact dimensions makes it ideal for renovation projects, especially for above door installation
- › Choosing for an R-32 product, reduces the environmental impact with 68% compared to R-410A and leads directly to lower energy consumption thanks to its high energy efficiency
- › Seasonal efficiency values up to A++ in cooling and heating
- › Space saving contemporary wall mounted design



 Practically inaudible	 Econo mode	 Energy saving during standby mode	 Night set mode	 Fan only	 Comfort mode	 Powerful mode	 Auto cooling-heating changeover	 Indoor unit silent operation
 3-D air flow	 Vertical auto swing	 Horizontal auto swing	 Auto fan speed	 Fan speed steps	 Dry programme	 Silver allergen removal and air purifying filter	 Titanium apatite deodorising filter	 Air filter
 24 hour timer	 Infrared remote control	 Online controller via app	 Auto-restart	 Self diagnosis	 Multi model application			

2 Specifications

1 - 1 FTXP-M9 / FTXP-M

Technical Specifications				FTXP20M9	FTXP25M9	FTXP35M9	
Power input	Cooling	Nom.	kW	0.019	0.020	0.032	
	Heating	Nom.	kW	0.023		0.032	
Casing	Colour			White			
Dimensions	Unit	Height	mm	286			
		Width	mm	770			
		Depth	mm	225			
	Packed unit	Height	mm	305			
		Width	mm	830			
		Depth	mm	360			
Weight	Unit		kg	8.50		9.00	
	Packed unit		kg	10.5		11.0	
Packing	Weight			kg			
	Length			mm			
Heat exchanger	Rows	Quantity		2			
	Fin pitch			mm			
	Stages			Quantity			
	Passes			Quantity			
	Tube type			ø5 Hi-XB			
	Fin	Type		ML fin (Multi louver)			
		Length		mm	-		600
	Heat exchanger 2	Rows	Quantity		-		1
		Fin pitch			mm		
		Stages			Quantity		
Type			Cross flow fan				
Fan	Quantity			1			
	Air flow rate	Cooling	High	m ³ /min	9.5	9.7	11.5
				cfm	335.1	343.3	406.1
			Medium	m ³ /min	7.4	7.7	8.3
		cfm		262.0	270.2	293.1	
		Low	m ³ /min	5.6	5.8	6.3	
			cfm	198.1	205.9	222.5	
	Heating	High	m ³ /min	4.2		4.5	
			cfm	146.6		159.0	
		Medium	m ³ /min	10.4		11.5	
			cfm	368.0		406.1	
		Low	m ³ /min	8.1		9.0	
			cfm	286.0		317.8	
	Silent operation	m ³ /min	6.2	6.4	7.0		
		cfm	217.9	226.0	247.2		
	Fan motor	Model			MM6K11S20VA		
		Speed			Steps		
	Fan motor	Cooling	High	rpm	1,000	1,020	1,140
Medium				rpm	820	840	870
Low			rpm	660	680	700	
			Silent operation	rpm		530	540
Heating			High	rpm		1,080	1,140
			Medium	rpm		880	930
Low		rpm	710	730	760		
		Silent operation	rpm		620	610	
Output			Rated				
W			22				
Sound power level		Cooling			dBA		
		Heating			dBA		
Sound pressure level	Cooling	High	dBA	39	40	43	
		Medium	dBA		33	34	
		Low	dBA	25	26	27	
		Silent operation	dBA		19	20	
	Heating	High	dBA	39	40	43	
		Medium	dBA		34	35	
		Low	dBA	28	28	29	
		Silent operation	dBA		21	21	
	Piping connections	Liquid	OD			mm	
			Gas			mm	
Drain			mm				
Heat insulation			Both liquid and gas pipes				
Air filter	Type			Removable / washable			
Air direction control						Left, right, up and downwards	
Temperature control						Microcomputer control	
Control systems	Infrared remote control			ARC480A53			
	Wired remote control			BRC944B2 / BRC073A1			

2 Specifications

1 - 1 FTXP-M9 / FTXP-M

- Standard accessories: Installation manual; Quantity: 1;
- Standard accessories: Operation manual; Quantity: 1;
- Standard accessories: Infrared remote control; Quantity: 1;
- Standard accessories: AAA dry-cell batteries; Quantity: 2;
- Standard accessories: Remote control holder; Quantity: 1;
- Standard accessories: Mounting plate; Quantity: 1;
- Standard accessories: Titanium apatite deodorizing filter; Quantity: 1;
- Standard accessories: Silver particle filter; Quantity: 1;
- Standard accessories: Indoor unit fixing screws; Quantity: 2;

Electrical Specifications				FTXP20M9		FTXP25M9		FTXP35M9		
Power supply	Phase					1~				
	Frequency	Hz					50			
	Voltage	V					220-240			
Power factor	Nominal	Cooling	%	43.42		44.40		49.25		
		Heating	%			45.80		49.25		
Current	Nominal running current (RLA) - 50Hz	Cooling	A	0.19		0.20		0.29		
		Heating	A			0.21		0.29		

Technical Specifications					FTXP50M		FTXP60M		FTXP71M			
Power input	Cooling	Nom.	kW	0.029				0.032				
	Heating	Nom.	kW	0.032				0.035				
Casing	Colour							White				
Dimensions	Unit	Height	mm					295				
		Width	mm					990				
		Depth	mm					263				
	Packed unit	Height	mm					368				
		Width	mm					1,080				
		Depth	mm					383				
Weight	Unit							13.5				
	Packed unit							16				
Packing	Weight							2.5				
Heat exchanger	Length							820				
	Rows	Quantity							2			
		Fin pitch	mm							1.4		
	Stages	Quantity							18			
	Passes	Quantity							6			
	Tube type									ø5 Hi-XB		
	Fin	Type									ML fin (Multi louver)	
		Length									810	
Heat exchanger 2	Rows	Quantity							1			
	Fin pitch	mm							1.4			
	Stages	Quantity							8			
Heat exchanger 3	Length									810		
	Rows	Quantity							1			
	Fin pitch	mm							1.4			
Stages	Quantity									4		
	Type									Cross flow fan		
	Air flow rate	Cooling	High	m ³ /min	16.3				16.8			
cfm				575				592				
Medium			m ³ /min	14.0				14.4				
			cfm	493				506				
Low			m ³ /min	11.5				11.8				
			cfm	401				417				
Silent operation		m ³ /min	8.3				9.2		10.1			
		cfm	268				330		365			
Heating		High	m ³ /min	17.3				17.9				
			cfm	618				632				
		Medium	m ³ /min	14.4				15.3				
			cfm	510				540				
	Low	m ³ /min	11.8				12.4					
		cfm	421				438					
Silent operation	m ³ /min	10.4				11.0						
cfm	370						387					
Fan motor	Model							MM9E17S21VA				

2 Specifications

1 - 1 FTXP-M9 / FTXP-M

Technical Specifications				FTXP50M	FTXP60M	FTXP71M
Fan motor	Speed	Steps		5 + silent, + auto		
			Cooling	High rpm	1,040	
			Medium rpm	920		940
			Low rpm	790		810
			Silent operation rpm	600	650	700
	Heating	High rpm	1,100	1,140		1,170
		Medium rpm	940		990	
		Low rpm	810		840	
			Silent operation rpm	730		760
		Output	Rated	W	46	
Sound power level	Cooling		dB(A)	59	60	62
	Heating		dB(A)	61		62
Sound pressure level	Cooling	High	dB(A)	43	45	46
		Medium	dB(A)	39	41	42
		Low	dB(A)	34	36	37
		Silent operation	dB(A)	27	30	32
	Heating	Super high	dB(A)	42	44	45
		High	dB(A)	38	40	41
		Medium	dB(A)	33	35	36
		Low	dB(A)	30	32	33
Piping connections	Liquid	OD	mm	635		
	Gas	OD	mm	12.7		
	Drain			18		
	Heat insulation			Both liquid and gas pipes		
Air filter	Type			Removable / washable		
Air direction control				Left, right, up and downwards		
Temperature control				Microcomputer control		
Control systems	Infrared remote control			ARC480A53		

Standard accessories: Installation manual; Quantity: 1;

Standard accessories: Operation manual; Quantity: 1;

Standard accessories: Infrared remote control; Quantity: 1;

Standard accessories: AAA dry-cell batteries; Quantity: 2;

Standard accessories: Remote control holder; Quantity: 1;

Standard accessories: Mounting plate; Quantity: 1;

Standard accessories: Titanium apatite deodorizing filter; Quantity: 1;

Standard accessories: Silver particle filter; Quantity: 1;

Standard accessories: Indoor unit fixing screws; Quantity: 2;

Electrical Specifications				FTXP50M	FTXP60M	FTXP71M
Power supply	Name			V1		
	Phase			1~		
	Frequency	Hz		50		
	Voltage	V		220-240		
Current	Nominal running current (RLA) - 50Hz	Cooling	A	0.32	0.34	
		Heating	A	0.34	0.37	0.40

3 Options

3 - 1 Options

3

FTXP20-35M9

Option kit	Product name	Remark	Applicable models			Class	Casing	Factory
			FTXP20M5V1B9	FTXP25M5V1B9	FTXP35M5V1B9			
Wired remote control	BRC073A1		✓	✓	✓	20	BMS-R32	DTAS
Wired remote control	BRC944B2		✓	✓	✓	25	BMS-R32	DTAS
Extension cord for wired remote control (.3-m)	BRCW901A03		✓	✓	✓	35	BMS-R32	DTAS
Extension cord for wired remote control (.5-m)	BRCW901A08		✓	✓	✓			
Interface adaptor for wired remote control	KRP980B1		✗	✗	✗			
Interface adaptor for wired remote control	EKRP067A41		✗	✗	✗			
Interface adaptor for wired remote control	EKRP980B2		✗	✗	✗			
Centralised control board (up to .5- rooms)	KRC72A		✗	✗	✗			
Wiring adaptor (normal open contact - normal open pulse contact)	KRP413AB1S		✗	✗	✗			
Wi-Fi adaptor for smartphones	BRP069B41	④ ⑤	✗	✗	✗			
Wi-Fi adaptor for smartphones	BRP069B42	⑤	✗	✗	✗			
Wi-Fi adaptor for smartphones	BRP069B43	⑤	✗	✗	✗			
Wi-Fi adaptor for smartphones	BRP069A44	⑥	✗	✗	✗			
Wi-Fi adaptor for smartphones	BRP069B45	⑤	✓	✓	✓			
Interface adaptor for DIII-NET	KRP928BB2S		✓	✓	✓			
Central remote control	DCS302CA51		✗	✗	✗			
Unified ON/OFF controller	DCS301BA51		✗	✗	✗			
Schedule timer	DST301BA51		✗	✗	✗			
Titanium apatite deodorising filter without frame	KAF971A42	①	✗	✗	✗			
Titanium apatite deodorising filter without frame	KAF952B42	③	✗	✗	✗			
Titanium apatite deodorising filter without frame	KAF970A46	②	✓	✓	✓			
Honeycomb deodorising and air-purifying filter without frame	KAF968A42		✗	✗	✗			
Honeycomb deodorising filter with frame	KAZ917B41		✗	✗	✗			
Honeycomb deodorising filter without frame	KAZ917B42		✗	✗	✗			
Air-purifying filter with frame	KAF925B41		✗	✗	✗			
Honeycomb deodorising and air-purifying filter with frame	KAF046A41		✗	✗	✗			
Anti-theft protection for remote control	KKF910AA4		✗	✗	✗			
Anti-theft protection for remote control	KKF917AA4		✗	✗	✗			
Anti-theft protection for remote control	KKF936A4		✓	✓	✓			
Installation frame for floor-standing units	BKS028A4		✗	✗	✗			
Optional remote control BRC480A54 for heating-only indoor units	BRC54A	⑦	✓	✓	✓			
Silver particle filter with frame	KAF057A41		✓	✓	✓			

Notes

Legend

1. R32 models

- ① Three-dimensional knitted fabric (.42x275-mm) + activated charcoal net
- ② Three-dimensional knitted fabric (.42x255-mm) + activated charcoal net
- ③ Corrugated fiberboard (.42x275-mm)
- ④ Without connection cable
- ⑤ Option .BRP069A** was replaced by option .BRP069B**.
- ⑥ This option is no longer produced.
- ⑦ Only for France

3D121476A

3 Options

3 - 1 Options

FTXP50-71M

Notes
1. R32 models

Option kit	Product name	Remark	Applicable models	Class	Casing	Factory
				50	60	71
Wired remote control	BRC073A1		FTXP50M2V1B	50	BML	D1Cz
Wired remote control	BRC944B2		FTXP60M2V1B	60	BML	D1Cz
Extension cord for wired remote control (-3-m)	BRCW901A03		FTXP71M2V1B	71	BML	D1Cz
Extension cord for wired remote control (-5-m)	BRCW901A08					
Interface adaptor for wired remote control	KRP980B1					
Interface adaptor for wired remote control	EKRP067A41					
Interface adaptor for wired remote control	EKRP980B2					
Centralised control board (up to 5- rooms)	KRC72A					
Wiring adaptor (normal open contact - normal open pulse contact)	KRP413AB1S					
Wi-Fi adaptor for smartphones	BRP069B41	④ ⑤				
Wi-Fi adaptor for smartphones	BRP069B42	⑤				
Wi-Fi adaptor for smartphones	BRP069B43	⑤				
Wi-Fi adaptor for smartphones	BRP069A44	⑥				
Wi-Fi adaptor for smartphones	BRP069B45	⑤				
Interface adaptor for DIII-NET	KRP928BB2S					
Central remote control	DCS302CA51					
Unified ON/OFF controller	DCS301BA51					
Schedule timer	DST301BA51					
Titanium apatite deodorising filter without frame	KAF971A42	①				
Titanium apatite deodorising filter without frame	KAF952B42	③				
Titanium apatite deodorising filter without frame	KAF970A46	②				
Honeycomb deodorising and air-purifying filter without frame	KAF968A42					
Honeycomb deodorising filter with frame	KAZ917B41					
Honeycomb deodorising filter without frame	KAZ917B42					
Air-purifying filter with frame	KAF925B41					
Honeycomb deodorising and air-purifying filter with frame	KAF046A41					
Anti-theft protection for remote control	KKF910AA4					
Anti-theft protection for remote control	KKF917AA4					
Anti-theft protection for remote control	KKF936A4					
Installation frame for floor-standing units	BKS028A4					
Optional remote control BRC480A54 for heating-only indoor units	BRC54A	⑦				

Legend

- ① Three-dimensional knitted fabric (-42x275-mm) + activated charcoal net
- ② Three-dimensional knitted fabric (-42x255-mm) + activated charcoal net
- ③ Corrugated fiberboard (-42x275-mm)
- ④ Without connection cable
- ⑤ Option -BRP069A***- was replaced by option -BRP069B***.
- ⑥ This option is no longer produced.
- ⑦ Only for France

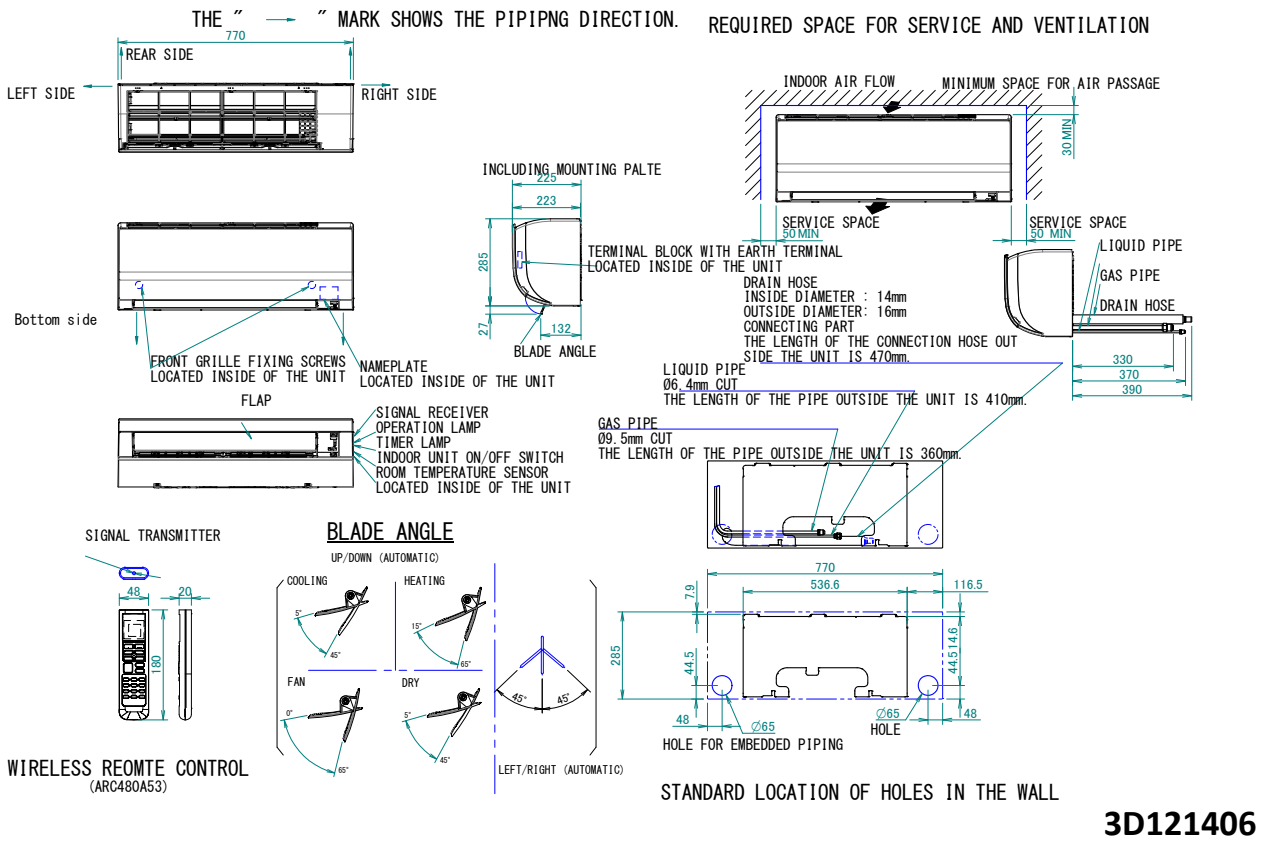
3D095173N

4 Dimensional drawings

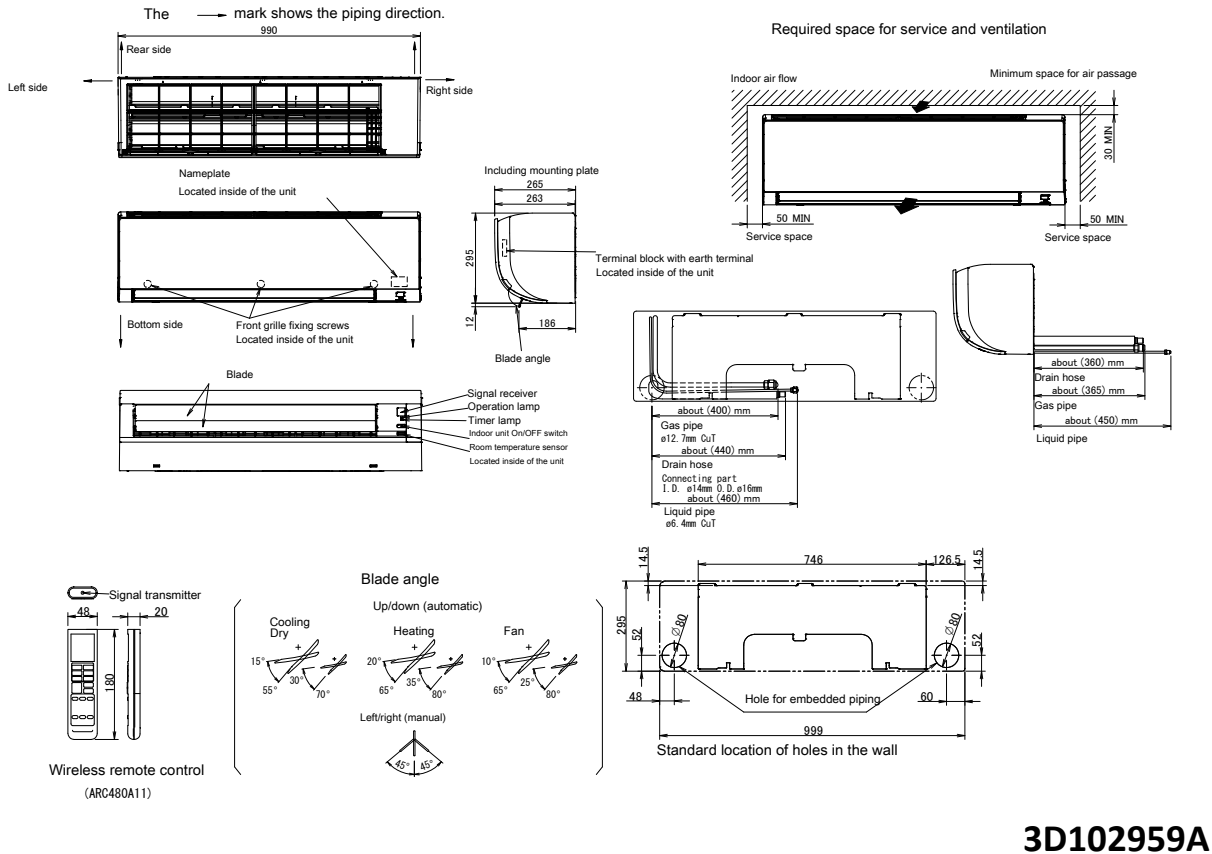
4 - 1 Dimensional Drawings

4

FTXP20-35M9



FTXP50-71M

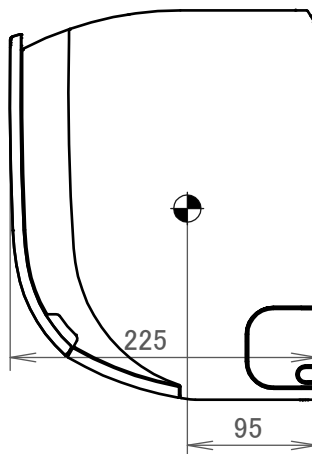
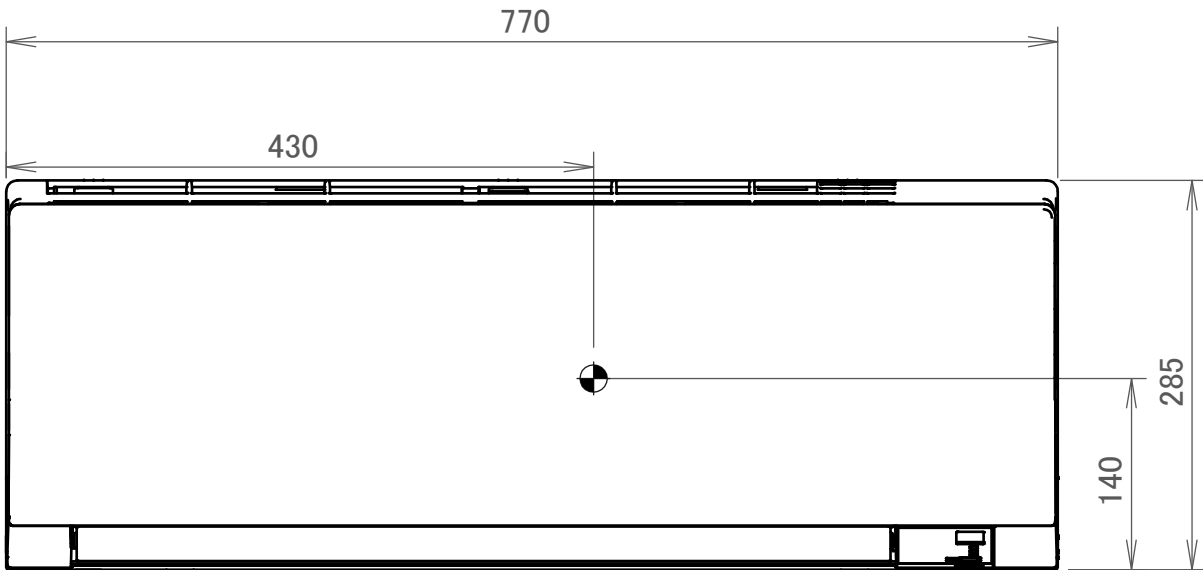


5 Centre of gravity

5 - 1 Centre of Gravity

FTXP20-25M9

5

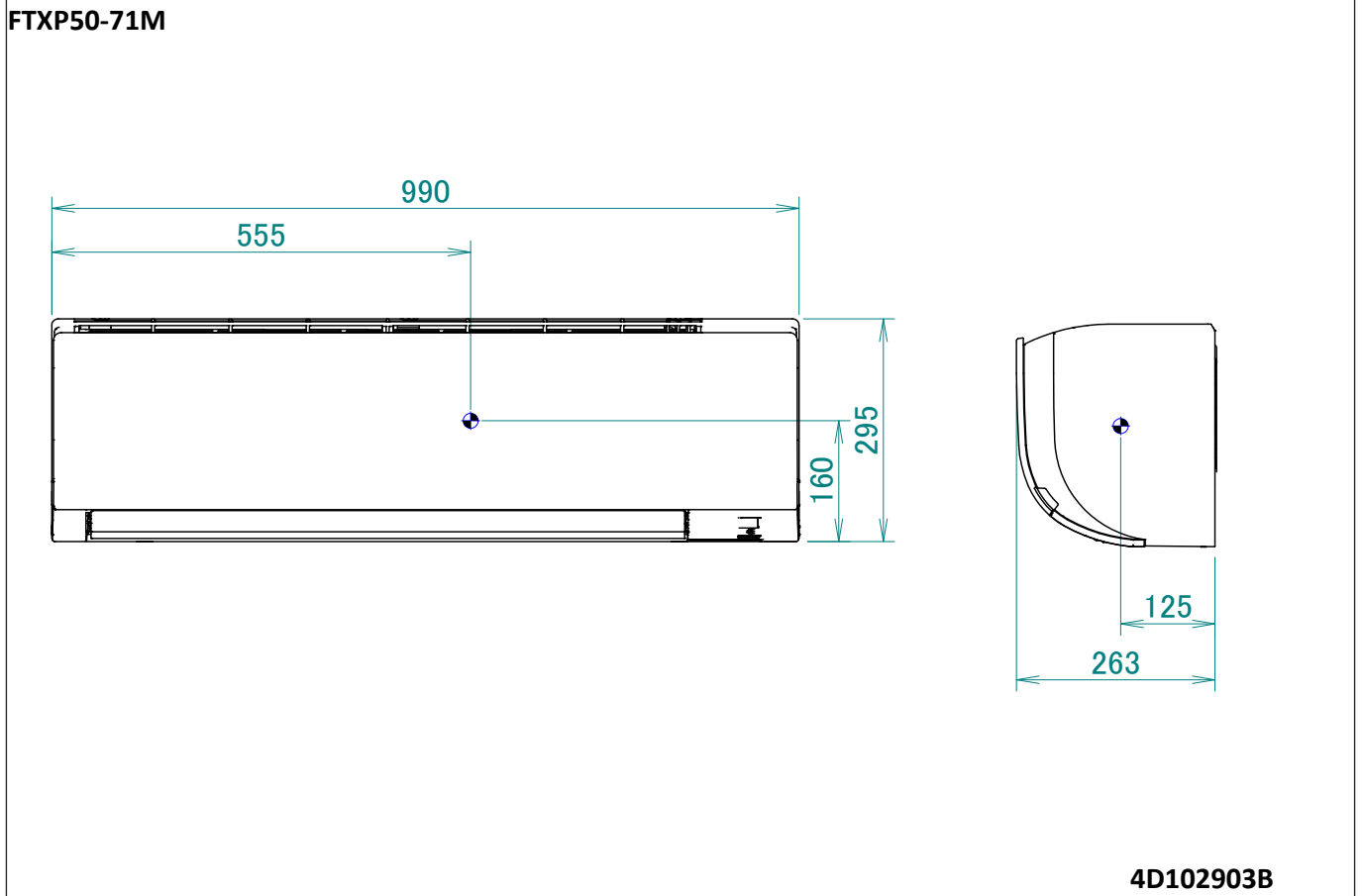


4D094235D

5 Centre of gravity

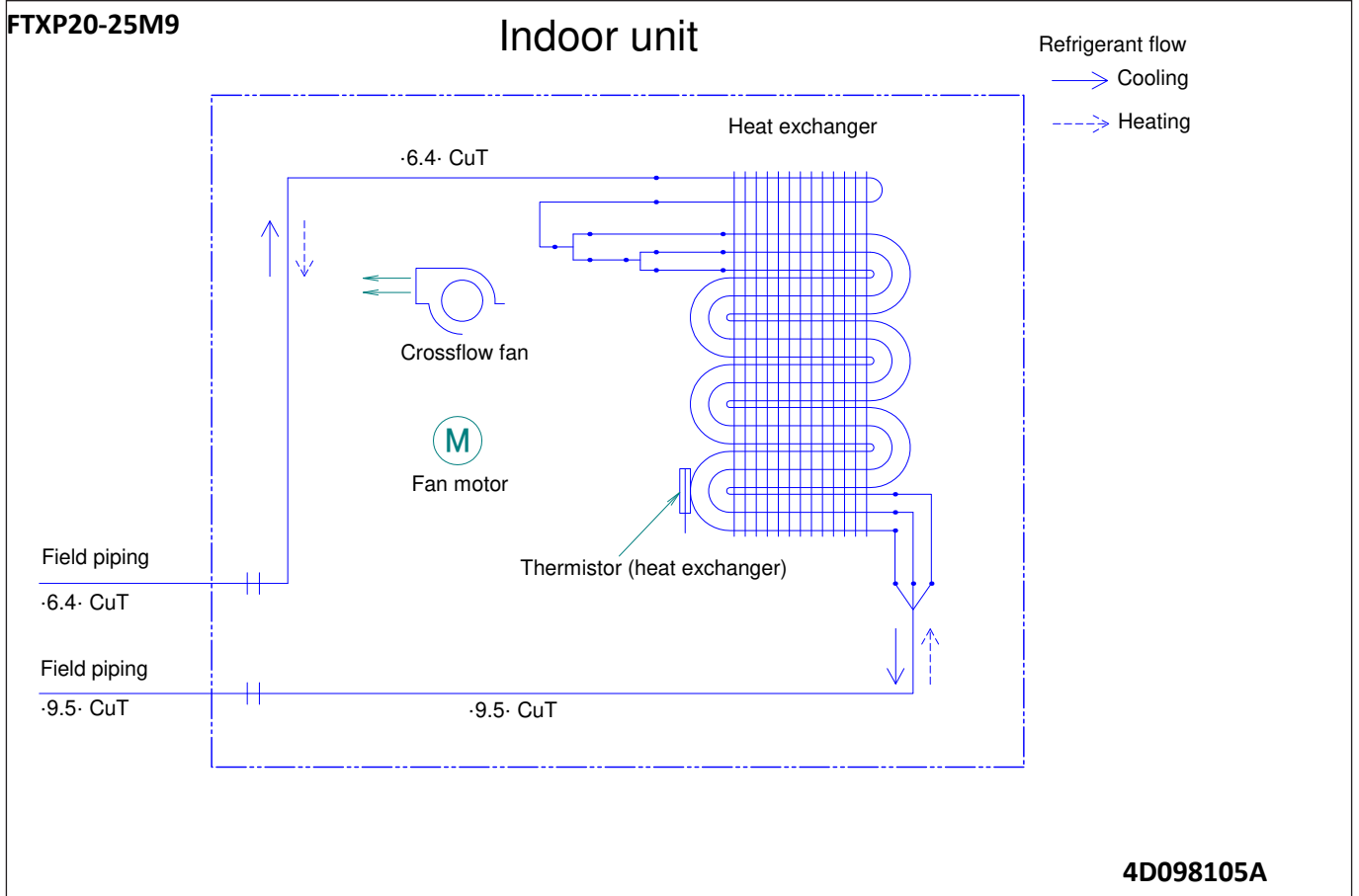
5 - 1 Centre of Gravity

5



6 Piping diagrams

6 - 1 Piping Diagrams



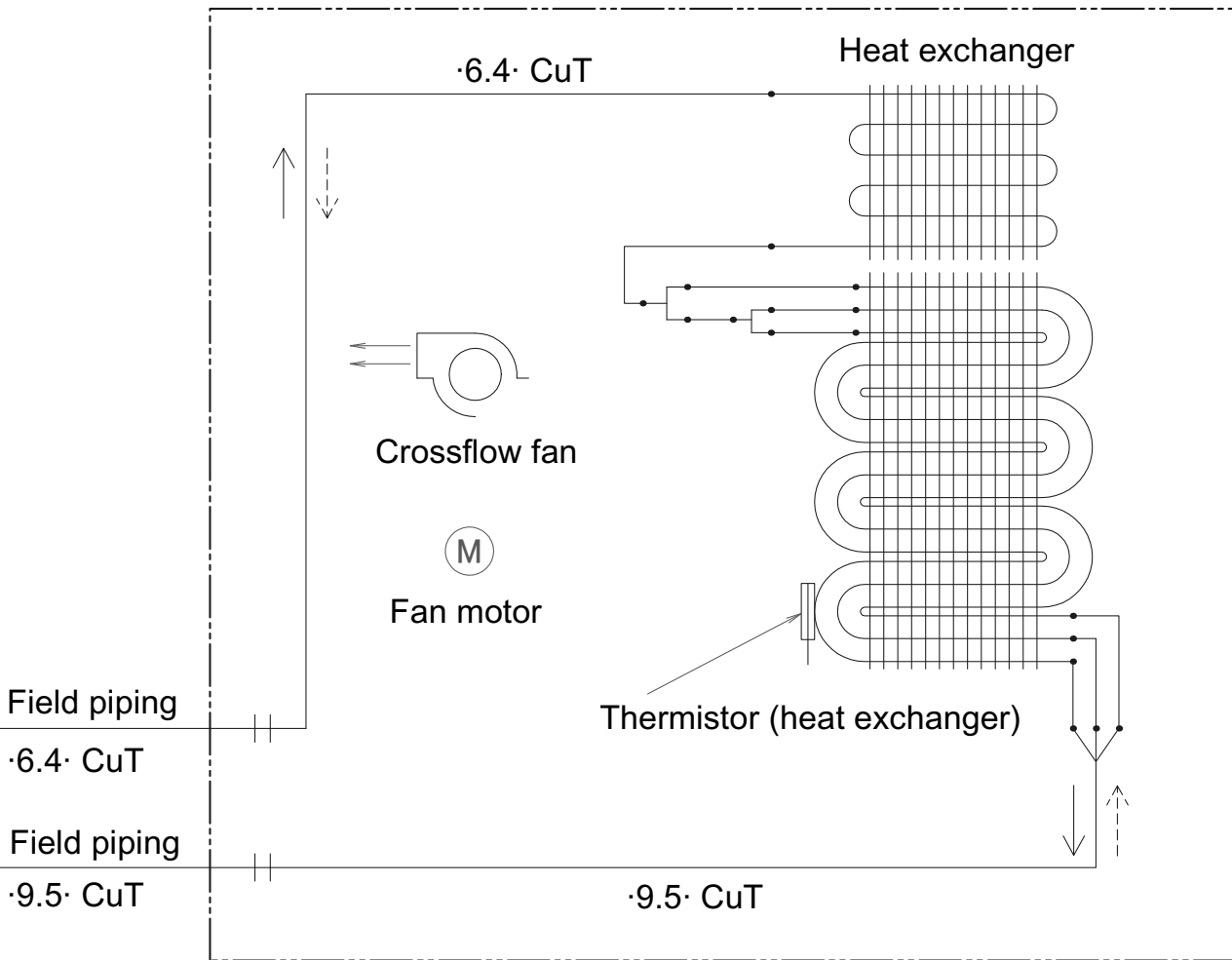
6 Piping diagrams

6 - 1 Piping Diagrams

6

FTXP35M9

Indoor unit



Refrigerant flow

→ Cooling

- - -> Heating

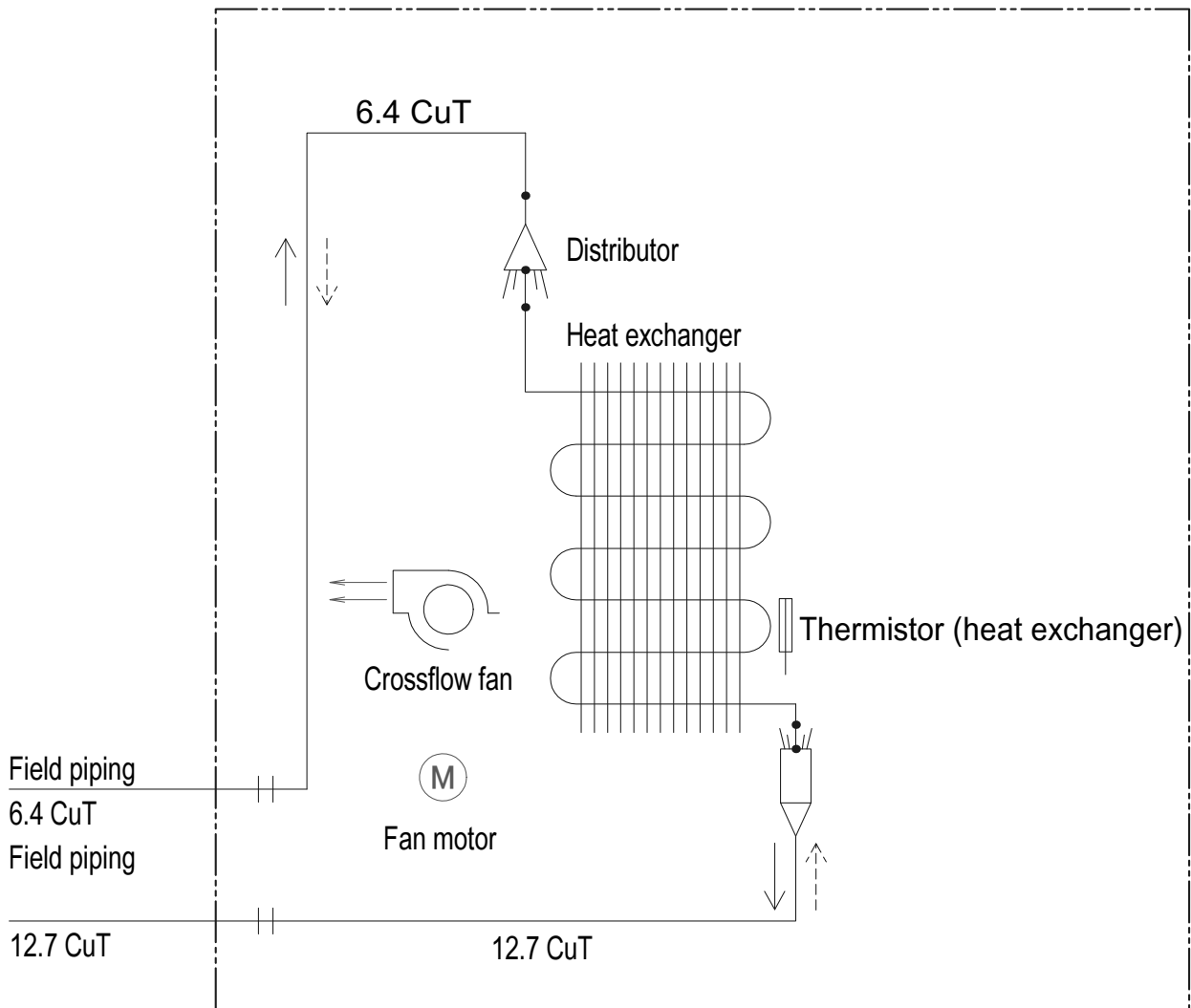
4D098106B

6 Piping diagrams

6 - 1 Piping Diagrams

FTXP50-71M

Indoor unit



Refrigerant flow
 —> Cooling
 - - -> Heating

4D101332D

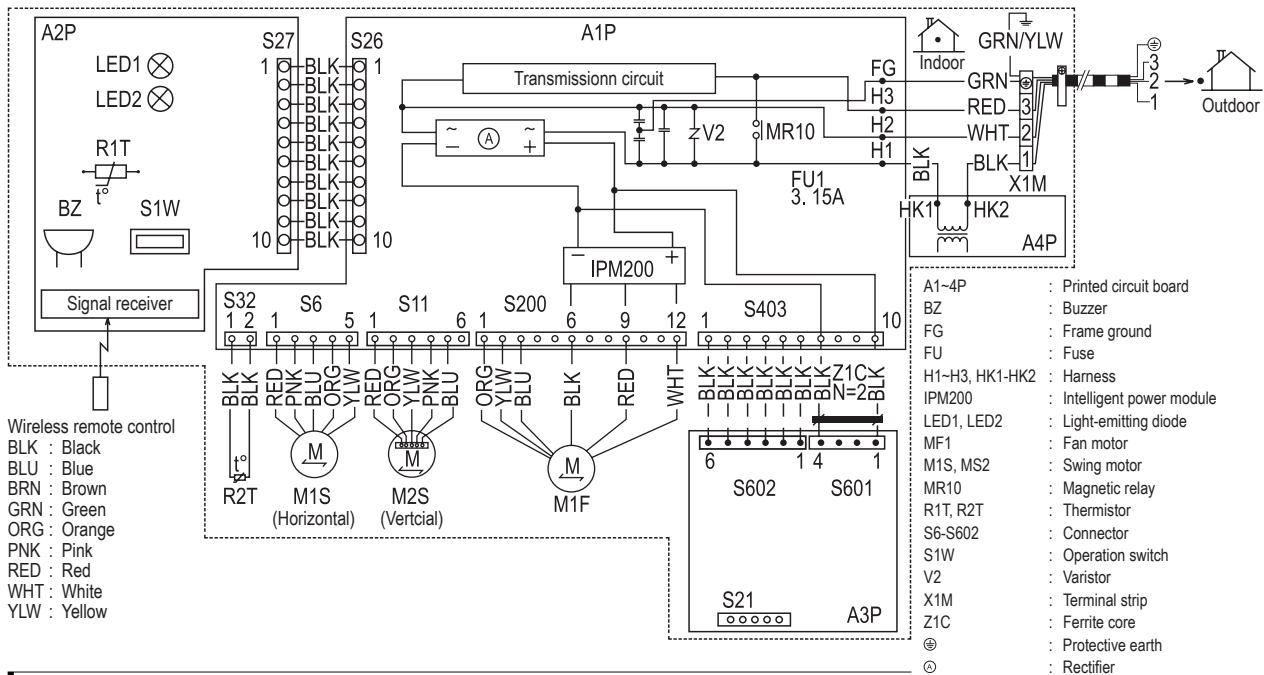
7 Wiring diagrams

7 - 1 Wiring Diagrams - Single Phase

FTXP20-35M9

Wiring diagram

Field wiring



CAUTION

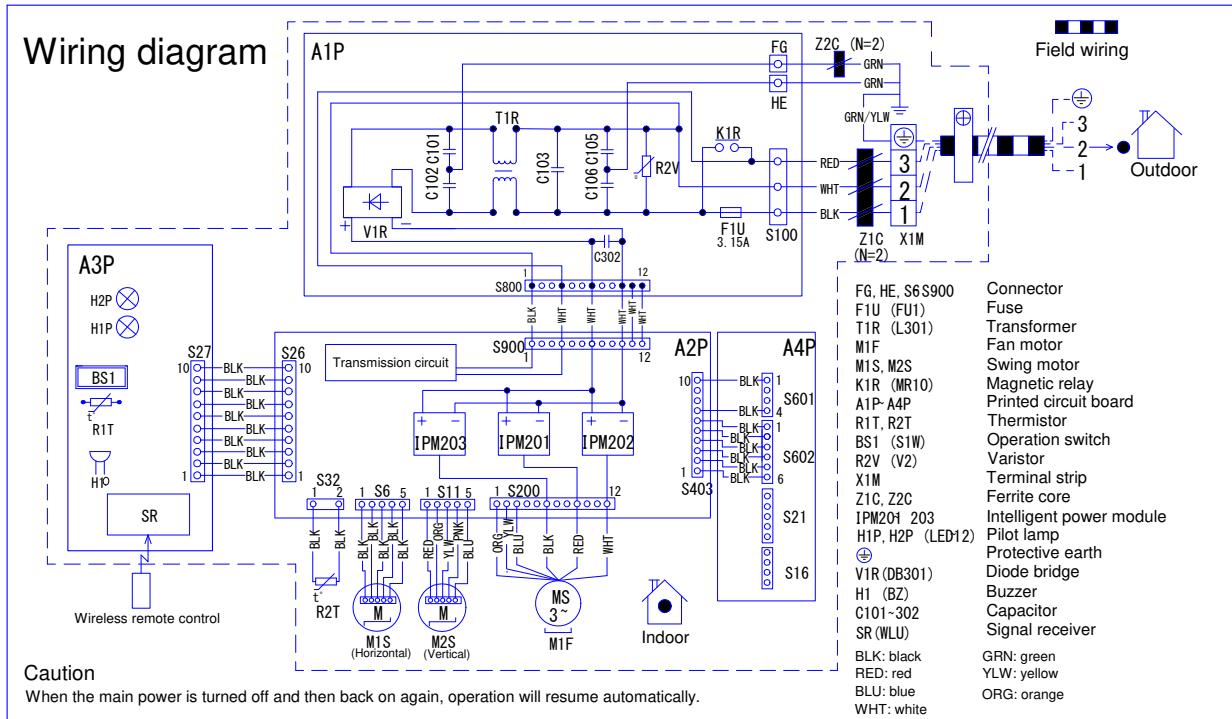
When the main power is turned off and then back on again, operation will resume automatically.

3D128244

FTXP50-71M

Wiring diagram

Field wiring



Caution

When the main power is turned off and then back on again, operation will resume automatically.

3D118438

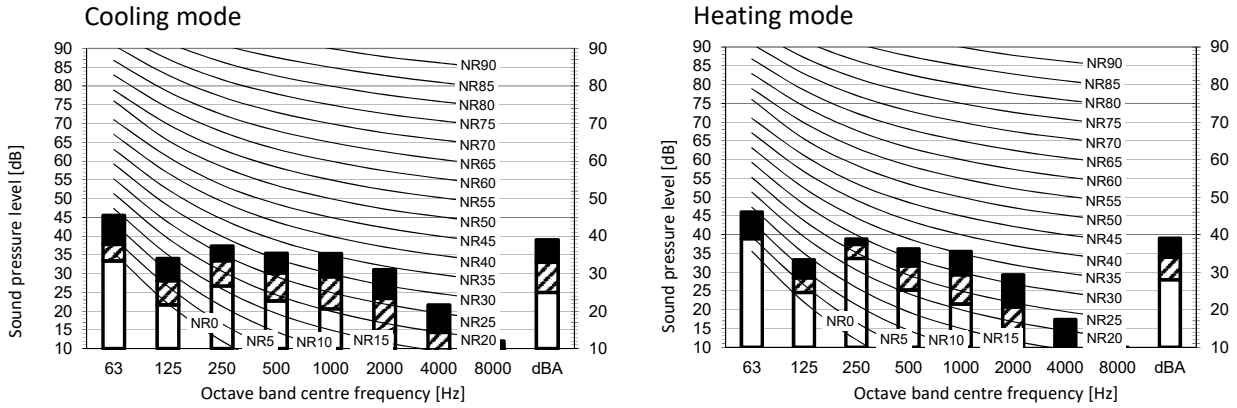
NOTES:

1. Size: length ·65· X width ·110·.
2. Refer to purchasing specification ·AS303002·, unless otherwise specified.

8 Sound data

8 - 1 Sound Pressure Spectrum

FTXP20M9

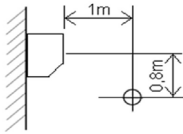


Legend

dBA = A-weighted sound pressure level (A scale according to IEC).

- A Scale Fan speed
- B High
- C Medium
- D Low

Location of microphone



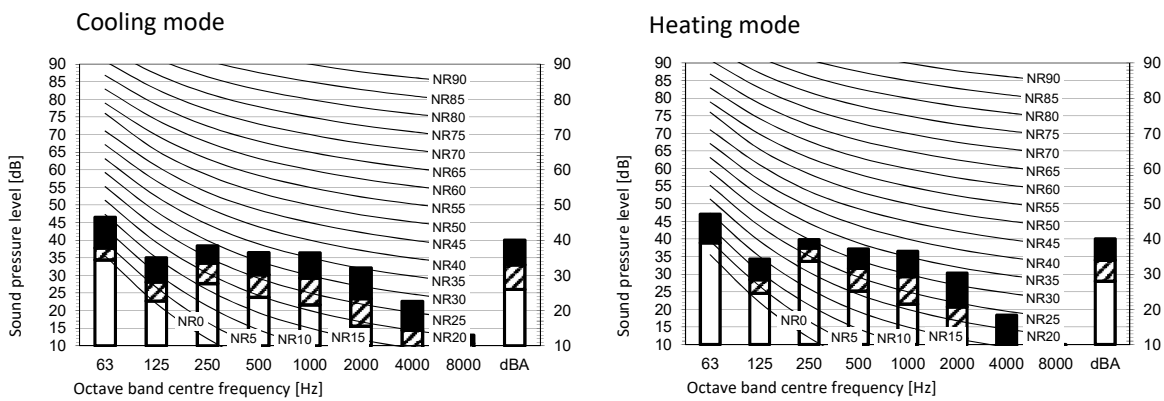
Cooling Total dB				Heating Total dB			
A	B	C	D	A	B	C	D
dBA	39	33	25	dBA	39	34	28

Notes

1. Operating conditions: power source 220-240 V/220 V 50/60 Hz; JIS standard
2. Background noise already taken into account.
3. Operating noise varies depending on operation and ambient conditions.
4. The operation noise measuring method is in accordance with JISC9612.
5. Measuring location: anechoic chamber

3D121480

FTXP25M9

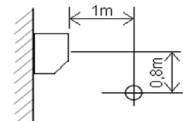


Legend

dBA = A-weighted sound pressure level (A scale according to IEC).

- A Scale Fan speed
- B High
- C Medium
- D Low

Location of microphone



Cooling Total dB				Heating Total dB			
A	B	C	D	A	B	C	D
dBA	40	33	26	dBA	40	34	28

Notes

1. Operating conditions: power source 220-240 V/220 V 50/60 Hz; JIS standard
2. Background noise already taken into account.
3. Operating noise varies depending on operation and ambient conditions.
4. The operation noise measuring method is in accordance with JISC9612.
5. Measuring location: anechoic chamber

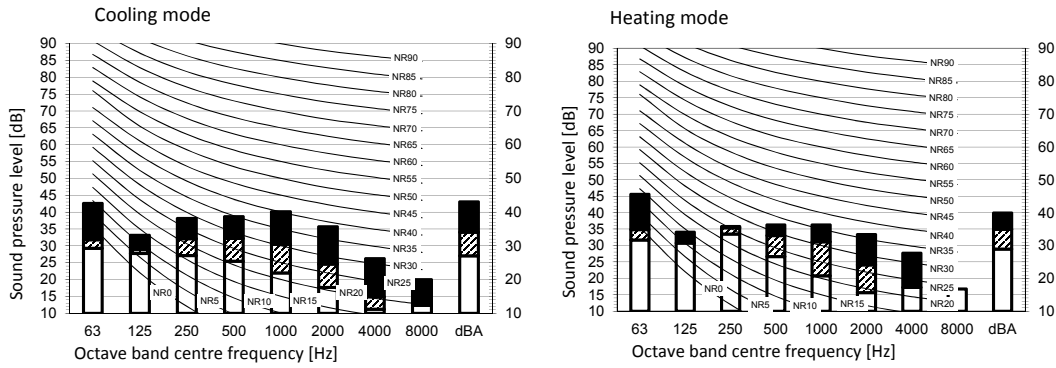
3D121481

8 Sound data

8 - 1 Sound Pressure Spectrum

8

FTXP35M9



Legend

dBA = A-weighted sound pressure level (A scale according to IEC).

A	Scale	Fan speed
B	█	High
C	▨	Medium
D	□	Low

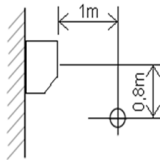
Cooling		Total dB	
A	B	C	D
dBA	43	34	27

Heating		Total dB	
A	B	C	D
dBA	40	35	29

Notes

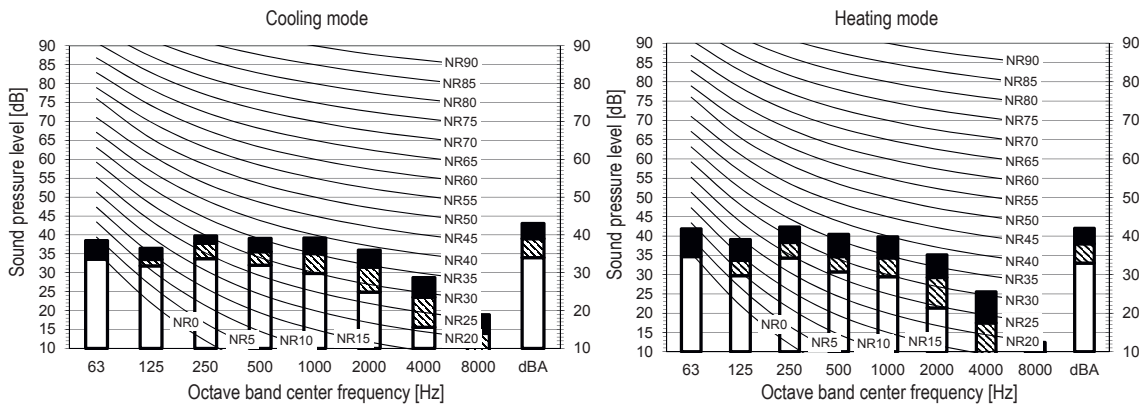
1. Operating conditions: power source 220-240 V/220 V 50/60 Hz; JIS standard
2. Background noise already taken into account.
3. Operating noise varies depending on operation and ambient conditions.
4. The operation noise measuring method is in accordance with JISC9612.
5. Measuring location: anechoic chamber

Location of microphone



3D108791A

FTXP50M

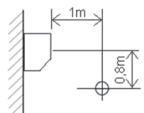


LEGEND

dBA = A-weighted sound pressure level (A scale according to IEC).

A	Scale	Fan speed
B	█	High
C	▨	Medium
D	□	Low

Location of microphone



Cooling Total db

A	B	C	D
dBA	43	39	34

Heating Total dB

A	B	C	D
dBA	42	38	33

NOTES

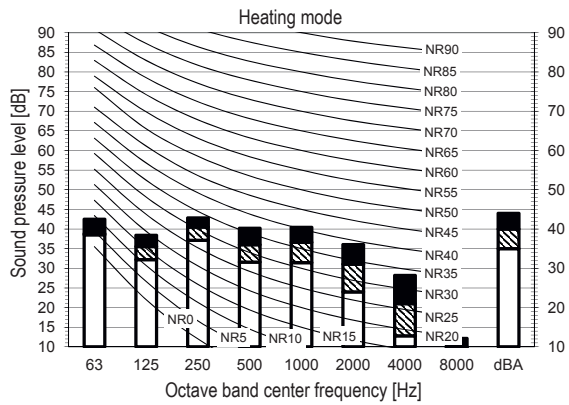
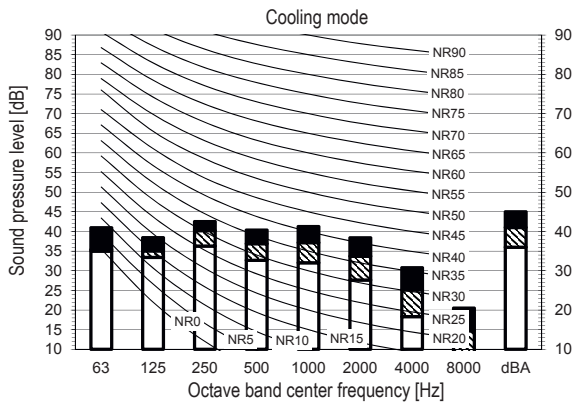
1. Operating conditions: power source 220-240 V/220 V 50/60 Hz; JIS standard
2. Background noise already taken into account.
3. Operating noise varies depending on operation and ambient conditions.
4. The operation noise measuring method is in accordance with JISC9612.
5. Measuring location: anechoic chamber
6. Editable data for this drawing are available in the GDE (E-BOM) system.

3D108792A

8 Sound data

8 - 1 Sound Pressure Spectrum

FTXP60M

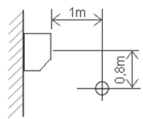


LEGEND

dBA = A-weighted sound pressure level (A scale according to IEC).

- A Scale
- B Fan speed: High
- C Fan speed: Medium
- D Fan speed: Low

Location of microphone



Cooling Total db

A	B	C	D
dBA	45	41	36

Heating Total dB

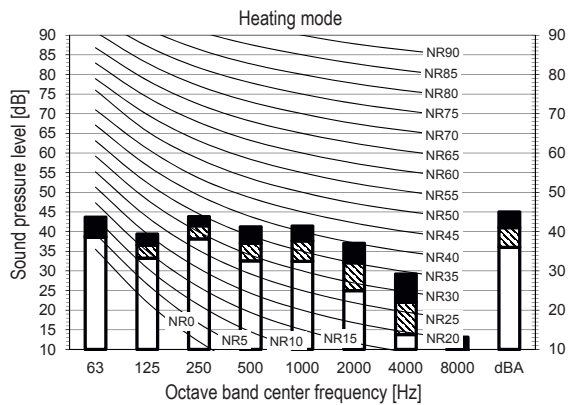
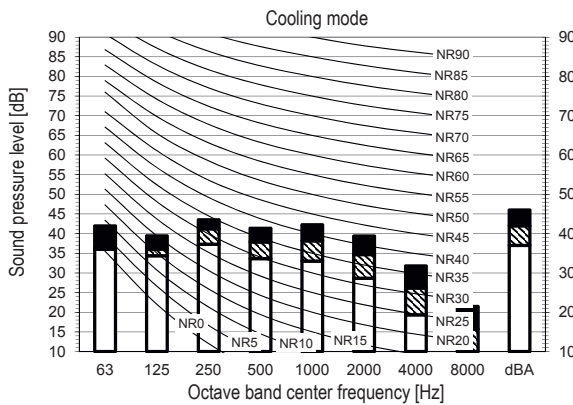
A	B	C	D
dBA	44	40	35

NOTES

1. Operating conditions: power source 220-240 V/220 V 50/60 Hz; JIS standard
2. Background noise already taken into account.
3. Operating noise varies depending on operation and ambient conditions.
4. The operation noise measuring method is in accordance with JISC9612.
5. Measuring location: anechoic chamber

3D115179

FTXP71M

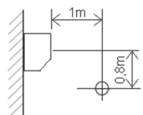


LEGEND

dBA = A-weighted sound pressure level (A scale according to IEC).

- A Scale
- B Fan speed: High
- C Fan speed: Medium
- D Fan speed: Low

Location of microphone



Cooling Total db

A	B	C	D
dBA	46	42	37

Heating Total dB

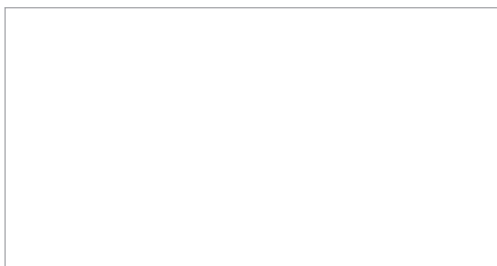
A	B	C	D
dBA	45	41	36

NOTES

1. Operating conditions: power source 220-240 V/220 V 50/60 Hz; JIS standard
2. Background noise already taken into account.
3. Operating noise varies depending on operation and ambient conditions.
4. The operation noise measuring method is in accordance with JISC9612.
5. Measuring location: anechoic chamber

3D115180

Daikin Europe N.V. Naamloze Vennootschap · Zandvoordestraat 300 · 8400 Oostende · Belgium · www.daikin.eu · BE 0412 120 336 · RPR Oostende (Responsible Editor)



EEEDEN20

06/2020



Daikin Europe N.V. participates in the Eurovent Certified Performance programme for Fan Coil Units and Variable Refrigerant Flow systems. Check ongoing validity of certificate: www.eurovent-certification.com

The present leaflet is drawn up by way of information only and does not constitute an offer binding upon Daikin Europe N.V. Daikin Europe N.V. has compiled the content of this leaflet to the best of its knowledge. No express or implied warranty is given for the completeness, accuracy, reliability or fitness for particular purpose of its content and the products and services presented therein. Specifications are subject to change without prior notice. Daikin Europe N.V. explicitly rejects any liability for any direct or indirect damage, in the broadest sense, arising from or related to the use and/or interpretation of this leaflet. All content is copyrighted by Daikin Europe N.V.